

Portable Multi User Oxygen Unit

The Portable Multi Users Oxygen Unit enables to connect in emergency, between 4 to 8 patients to an oxygen source at the same time at an alternative care site. The source could be a wall outlet or portable cylinder with a regulator.

The device includes an Oxygen distribution tube made of aluminum with 4-8 oxygen units.



Features & Benefits

- Multi user- Administer Oxygen up to 8 patients at once from a single source or cylinder.
- Efficient & Flexible- Individual flow adjustment knob for each patient.
- Patient Friendly- Designed to enable humidifier connection for each patient to ease respiration.
- Modular units- designed to provide ganging between two to three units in the field to form multiples.
- Source connections- 4 meter long medical tubing enables connecting to a portable Oxygen cylinder or to a stationary source/ outlet.
- Aluminum stands for a stable positioning at any location - optional*
- Different probes available for the tubing.
- complete system including: dial selector & tube with probe.



Technical Data

- Flow rates:
 - 0-25LPM: 0.5, 1, 1.5, 2, 3, 4, 6, 8, 10, 15, 25.
- Connections:
 - Flow selector Outlet: DISS
 - Tube length: 4 meters***
 - Tube probe: Silbermann-Ohio, ENV 737-6, DIN 13260-2, Puritan Bennett type, BS, Chematron, DISS, AGA**
- Device Material: Anodized Aluminum

* The aluminum stands can be added upon customer request

** Other probes available on request

*** Variable tube length available on request

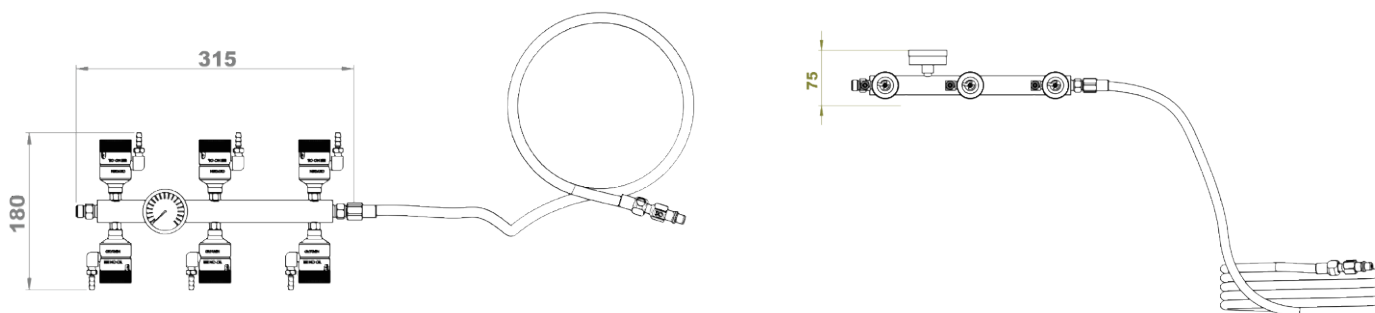
Silbermann's Quality Management System:

- EN ISO 13485-2016
- ISO 9001-2015
- CE marked





Dimensions [mm]



Catalogue Numbers

Description	Cat No.
Multi-user oxygen unit for 6 users	4198006



Related Products



Nebulizer*
P.N - 4103000



Humidifier*
P.N - 4101100



Bubble Jet
Humidifier/Nebulizer combo*
P.N - 4143000



Oxygen DISS, plastic
nut & gland, for one patient use
P.N - 2261000



Complete DISS metal
nut assembly for Oxygen
P.N - 2229000

* Silbermann's reusable Humidifiers/Nebulizers are made of polycarbonate tops, polysulfone jars and are autoclavable at 270°F (132°C).
 Jars capacity - 500cc.
 Includes safety valve 2 PSI
 Inlet - DISS nut assembly.
 Includes two flow outlets: 3 - 6mm bushed nipple & 22mm corrugated tube.
 ISO color available on request

Distributed By: