

### Economy Manifold

The SILBERMANN Medical Gas Economy Manifold is used in facilities which require low usage of medical gas.

Our manifold is designed for the supply of continuous and smooth gas flow at the pressure of up to 8 bars (higher outlet pressure upon customer request).



Economy Manifold with an optional main hi-pressure shut-off valve



### Features & Benefits

- Gas Type - O<sub>2</sub>, Air, N<sub>2</sub>O, CO<sub>2</sub>, N<sub>2</sub> ect.
- Outlet Pressure - 3-12 bar.
- Inlet Pressure (Max) -200 bar.
- Piping System: All materials are oxygen compatible and cleaned for oxygen use.
- Flow Capacity: Oxy/medical air (4 bar) - 90 m<sup>3</sup>/hr/ 120 m<sup>3</sup>/hr.
- Pigtail for each cylinder valve.
- Optional:
  - Main hi-pressure shut-off valve.
  - Relief valve.
  - Pressure switch

#### Applicable standards:

- NFPA99, EN ISO 73961-1 & G0-1 requirements.

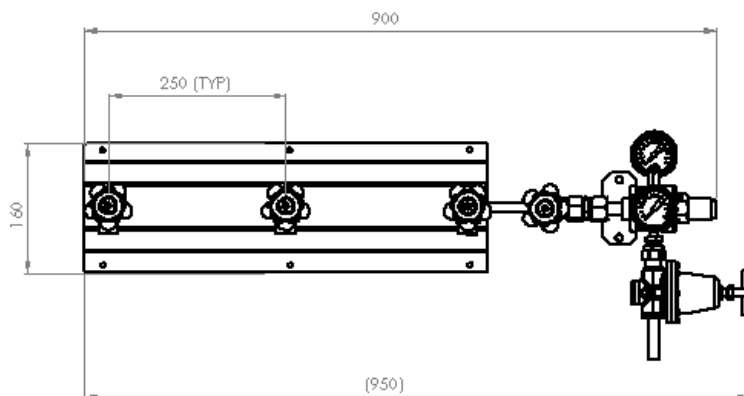
#### Silbermann's Quality management system:

- ISO 9001-2015
- ISO 13485-2016
- CE marked

CE 0123



### Dimensions [mm]



Distributed By:

#### SILBERMANN Technologies Ltd.

Address: #5 Harakevet st. POB 4605, Petah-Tikva, 4900715, ISRAEL

Tel: +972-3-9309186 | Fax: +972-3-9315721

E-Mail: [info@silbermann.com](mailto:info@silbermann.com), [www.silbermann.com](http://www.silbermann.com)