

Single OSA System With Built-in LED Treatment Lamp for I.C.U & Trauma

The Single OSA (Overhead Suspension Arms) System With Built-in LED Treatment Lamp for critical departments e.g. ICU & Trauma is designed for optimal integration between Medical examination lighting and OSA's.

These two practices combined into one system enable optimal positioning of the two systems, providing doctors with a complete clinical view and allowing easy access to medical equipment at the point of care.



Features & Benefits

- An integrated treatment lamp centrally mounted through the arm.
 - Light technology: Led
 - Intesity: 100klux
 - High maneuverability of 360°
- Cost-effective design that avoids the need for separate lamp ceiling mounting.
- Easy moving & positioning that quickly adapts to changing situations, Especially in Emergencies.
- Cable management - the neat and organized cables and their hanging system from the ceiling prevent hospital-acquired infection.
- Locked position-brake handles that can be individually adapted to specific work processes. The pneumatic brake control is installed on the service head via two buttons. These pneumatic or mechanical brakes enable the control of the main bearing break and the intermediate bearing break. There's an option to add a pneumatic service head rotation brake.
 - The ball bearings are maintenance-free.
- Two articulated arms allow for a greater range of motion and positioning choices.
- All accessories are detachable and interchangeable.
- The service head has mounting slides on four sides for various accessories:
 - Shelves size 550x500 may be front, sides, or back mounted.
 - Drawers under the shelf are available.
 - Stainless steel IVF poles with height-adjustable slow descending mechanism. 3 hook rods may be attached to the service head.
 - Height adjustable hanging rails may be mounted on the poles of the service head to carry oxygen and vacuum therapy equipment.
 - An optional small tray (400x300 mm) can mounted on the service head.
 - An endoscopic equipment holder can be added and clamped to a rail on the side of the service head.
- The service head provides electric sockets, medical gas outlets, equipotential pins, and various electronic connectors that can be mounted.
- Maximum access around the patient.

Single OSA System With Built in LED Treatment Lamp for I.C.U & Trauma

Booms/ Pendants



Technical Data

- Max. load: G2 max 220 kg (See note 1).
- Arm length: R3 600 mm / 800 mm / 1000mm
R4 600 mm / 800mm / 1000mm
- Rotation angle: W5, 300°
W3, W4 340°
- Electrical Sockets: Up to 16 units
- Equipotential pins: Up to 12 units
- Data sockets: Up to 8 units
- Gas Outlets: Up to 10 units
- Pressure gauges: up to 6 units
- Service head height: 600 mm/ 800 mm / 1000 mm.
- Brakes: Pneumatic brakes - top arm, lower arm, optional - pneumatic brake on service head (recommended for high load configuration).

Notes:

- 1) The load G2 includes the weight of the service head and medical equipment.
- 2) Customized lengths or higher socket numbers are available - on request.

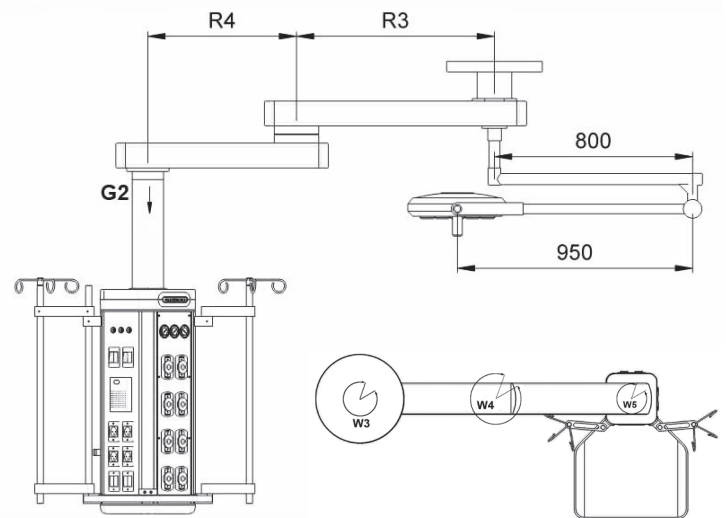
Optional Add Ons

- Ceiling-mounted treatment / examination lamp
- Monitor mounting arms
- Screen & keyboard arm
- Endoscopic equipment holders

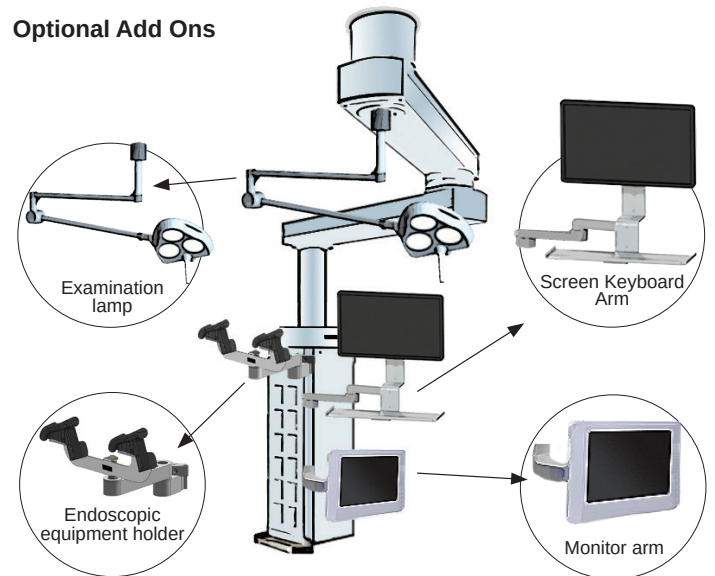
The system incorporates a treatment/examination lamp with an elegant design combined with the most modern LED technology.

Lamp Technical Specification

- Power intensity 100,000 lux at 1 meter.
- Led lifetime 50,000 hours
- No radiation heat
- Continuously dimmable light from 10%-100%
- Light field diameter 170mm
- Removable sterilizable handle
- Electric requirement: 100-240 volts 50/60 Hz
- Articulate arm spring loaded



Optional Add Ons



The Overhead Suspension Arm meets the requirements of: NFPA99, EN ISO 11197, and 7396-1 standards.

Silbermann's Quality Management System:

- EN ISO 13485-2016
- ISO 9001-2015
- CE marked



SILBERMANN Technologies Ltd.

Address: #5 Harakevet st. POB 4605, Petah-Tikva, 4900715, ISRAEL
Tel: +972-3-9309186 | Fax: +972-3-9315721
E-Mail: info@silbermann.com, www.silbermann.com

