

Air Motor outlet with disposal

Silbermann's Air Motor is a supply and disposal outlet.

It is used to supply air or N2 pressure for driving surgical tools at operation theatres. The returned gas from the tools is evacuated through the outlet, out of the room to avoid turbulences in the OT.

Silbermann's Air Motor outlet with disposal is designed to meet the latest and most rigid European ISO 7396-1 requirements as well as the American NFPA99.



Features

- Safe and reliable connection between the medical/surgical tools and the medical gas distribution system.
- All outlets are 100% hydrostatic tested for leaks.
- The outlets are factory assembled.
- Can be used with Air or N2

Medical Gas System Standards:

- NFPA99, EN ISO 7396-1.

Applicable Standards:

- EN ISO 9170-1, DIN 13260-2, ENV 737-6



Technical Data

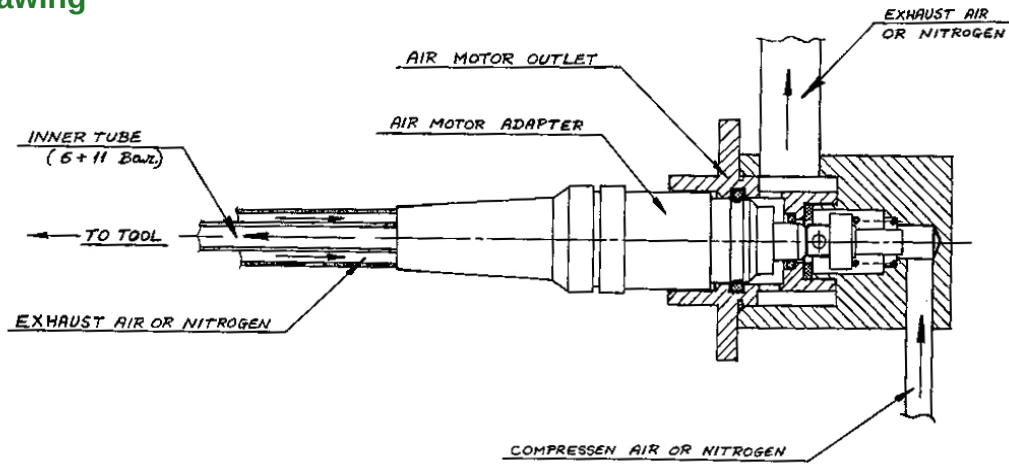
- The Airmotor Outlet shall be Silbermann's type.
- Working Pressure: 7 to 11 bar.
- Air Flow: Up to 500 LPM at 8 bar.
- Exhaust air: Up to 500 LPM at 0.2 bar (max).

Silbermann's Quality Management System:

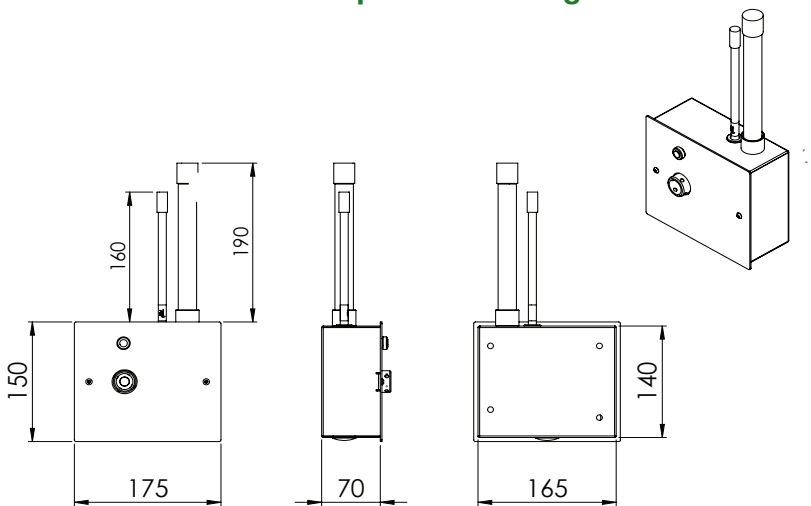
- EN ISO 13485-2016
- ISO 9001-2015



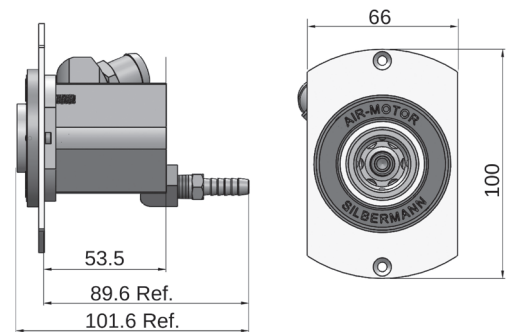
Air Motor Outlet Schematic Drawing



Dimensions [mm] Recessed/Exposed drawing



Pendant Mounted



Catalogue Numbers

Outlet Configuration	Catalog No.
Exposed/Recessed Air Motor Outlet	7190011
Pendant Mounted Air Motor Outlet	7190013
Probe for Air Motor Outlet	2282301